

# WestBend®

## AIR CRAZY™ ON DEMAND

Instruction Manual



Register this and other Focus Products Group International products through our website: [www.registerfocus.com](http://www.registerfocus.com)

Product registration is not required to activate warranty.

Important Safeguards.....	2
Before Using for the First Time .....	3
Using Your Air Crazy™ on Demand Popcorn Popper .....	3
Helpful Hints .....	4
Cleaning Your Air Crazy™ on Demand Popcorn Popper .....	5
Warranty.....	6

**SAVE THIS INSTRUCTION MANUAL FOR FUTURE REFERENCE**

# IMPORTANT SAFEGUARDS



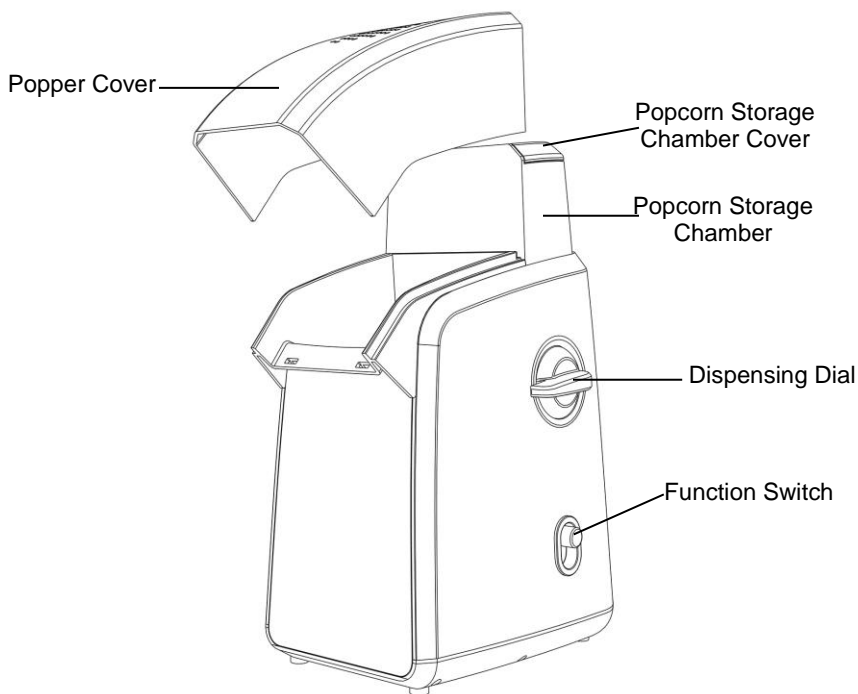
## CAUTION

**To prevent personal injury or property damage, read and follow all instructions and warnings.**

When using electrical appliances, basic safety precautions should always be followed including:

- Read all instructions.
- Do not touch hot surfaces. Use handles or knobs and hot pads or oven mitts. Cover becomes hot during operation.
- Always unplug from outlet when not in use and before cleaning. Allow to cool before putting on or taking off parts and before cleaning.
- Close supervision is necessary when this appliance is used by or near children.
- Do not operate any appliance with a damaged cord or plug, after the appliance malfunctions, or has been damaged in any manner. For service information see warranty page.
- The use of accessory attachments not recommended by Focus Products Group International may cause injuries.
- Do not use this appliance outdoors.
- Do not let cord hang over the edge of the table or counter, or touch hot surfaces.
- Do not place on or near a hot gas or electric burner, or in a heated oven.
- To disconnect, turn any control to "OFF," then remove plug from wall outlet.
- Do not use appliance for other than intended use.
- To protect against electric shock, do not immerse cord, plugs, or other electric parts in water or other liquids.
- Do not attempt to repair this appliance yourself.
- A popper that is plugged into an outlet should not be left unattended.
- This popper will not shut off automatically. To avoid overheating, add popcorn kernels before operating.
- A short power-supply cord is provided to reduce risks resulting from becoming entangled in or tripping over a longer cord.
- Longer extension cords are available, but care must be exercised in their use. While use of an extension cord is not recommended, if you must use one, ensure that the marked electrical rating of the extension cord is equal to or greater than that of the appliance. If the plug is of the grounded type, the extension cord must be a grounding-type 3-wire cord. To avoid pulling, tripping or entanglement, position the extension cord so that it does not hang over the edge of the counter, table or other area where it can be pulled on by children or tripped over.
- This appliance has a polarized plug (one blade is wider than the other). To reduce the risk of electric shock, this plug is intended to fit into a polarized outlet only one way. If the plug does not fit fully into the outlet, reverse the plug. If it still does not fit, contact a qualified electrician. Do not attempt to modify the plug in any way.
- Do not use an outlet or extension cord if the plug fits loosely or if the outlet or extension cord feels hot.
- During use, do not remove cover. Do not remove the cover from the appliance after pop cycle until you have not heard a kernel pop for at least 1 minute.
- **For household use only.**

# SAVE THESE INSTRUCTIONS



## BEFORE USING FOR THE FIRST TIME

**Please check all packaging material carefully before discarding. Accessory parts may be contained within the packaging material.**

Wash the popper cover in warm, soapy water. Rinse thoroughly and dry. Wipe the exterior of the popper base and popcorn chute with a soft, damp cloth and dry. It is not necessary to clean inside the popping chamber. **Note: DO NOT** immerse the popper base in water or any other liquid. Once removed, the cover can be washed in a dishwasher, **top rack only**. **DO NOT** put the popper base into the dishwasher. This will permanently damage the product and will void the warranty.

## USING YOUR AIR CRAZY™ ON DEMAND POPCORN POPPER

**This popper uses hot air to pop the kernels. DO NOT place anything other than popcorn kernels into the popping chamber.**

1. Open the popcorn storage chamber cover and pour fresh popcorn kernels into the chamber. The chamber will hold approximately 16 oz. of kernels.
2. Ensure that the bottom screen is clear of popcorn pieces before each use. (See “Cleaning Your Air Crazy™ on Demand Popcorn Popper” section of this manual.) Place the popper cover on the popper. Turn the dispensing dial to dispense popcorn kernels into the popping chamber. For a single serving of popcorn, turn the dial once (approx. 2 tbsp. kernels). For a family-sized serving, turn the dial up to 4 times (approx. ½ cup kernels). **DO NOT** dispense more than 4 servings (½

English - 3

cup) of popcorn kernels at one time. The dial will lock after 4 turns, and will not unlock until after popping has begun. **DO NOT** put oil, butter, shortening, salt, or anything other than popcorn into the machine.

**Note:** If too much popcorn is dispensed into the popping chamber, kernels may jam the feed door. The popper will not operate until the jam is cleared. To clear the jam, remove the cover and pour out the kernels in the popping chamber, then gently wiggle the dispensing dial to release jammed kernels. Be sure to hold the corn storage lid closed when emptying the popper. Replace the cover and dispense recommended amount of kernels.

3. Place a 4 quart, or larger, heat-resistant bowl below the popcorn chute to collect popcorn as it pops.  $\frac{1}{2}$  cup of popcorn kernels will yield between 3 and 4 quarts of popped popcorn. **Note:** We recommend using a bowl that is at least 5.5" deep when popping corn.
4. Plug the cord into a 120 volt, AC outlet **ONLY**. Slide the function switch up to "POP." **Never run the popper without the popcorn or the cover in place.**
5. Popcorn will begin to pop, and the cycle will be done within 2-3 minutes. **NEVER** dispense additional popcorn kernels during the pop cycle. After popcorn has completed popping, slide the function switch to "OFF." Popcorn cycle has completed when there is a gap of 5 seconds between kernels popping. Let the popper sit, with the popper cover in place, for at least one minute after completion of the popping cycle. Unpopped kernels may still pop unexpectedly. Use caution when handling the Air Crazy™ on Demand Popcorn Popper, it **will** be hot after popping cycle. Always use hot pads or oven mitts to handle the hot appliance.
6. If you wish to pop an additional batch of popcorn, let the popper cool for five minutes, then carefully check the screen at the bottom of the popping chamber. Remove any debris. Use oven mitts or hot pads when handling the hot popper. Repeat steps 1-5 above. After 2 batches, let popper cool 15 minutes before additional uses.
  - A small amount of smoke and/or odor may occur upon heating due to the release of manufacturing oils – this is normal.
  - Some minor expansion/contraction sounds may occur during heating and cooling – this is normal.

## HELPFUL HINTS

- **Single Serve Use Only:** If you notice a lot of unpopped kernels when making a single serving of popcorn, preheat the popper for 15 seconds prior to dispensing kernels. **Do not** preheat if you are making more than a single serving (2 tbsp.) or if you have popped corn within the last 20 minutes.
- Always use fresh popcorn. Dried out, stale, or old popcorn pops poorly as it has lost its moisture content and may scorch.
- Always use the popcorn stored in the popcorn storage chamber as quickly as possible. Generally, popcorn will lose its moisture within a month and popping results may be poor.
- Store any **extra** popcorn in airtight containers made of glass or plastic to avoid moisture loss in the kernels. Be sure that the container is stored in a cool place, do not store in the refrigerator. Most refrigerators contain little moisture and can dry out kernels, resulting in poor popping.

- While we recommend using regular white or yellow popcorn, this popcorn popper can also accommodate premium and gourmet popcorns. However, premium and gourmet popcorns may not yield results as good as regular popcorn; you may notice an increase in the number of unpopped kernels.
- If the flow of popcorn is slow, or stops, slide the function switch to “OFF,” let the popper cool for a minute or two, remove the cover, and empty the popping chamber. Be sure to hold the corn storage lid closed when emptying the popper. When popping the next batch, reduce the amount of corn being popped.
- If popcorn does not pop, it is usually the result of environmental factors such as the freshness and moisture content of the popcorn, or variances by popcorn type. Unpopped kernels do not necessarily indicate a defect in the appliance.
- This popper is not intended for use with seeds, beans, or anything other than popcorn.
- We recommend using a deep bowl for popping popcorn. Use a bowl that is at least 5.5” deep when popping corn, and be sure that the bowl is flush to the popper to collect popped corn. If too shallow a bowl is used, hot popcorn and kernels can ricochet from the bowl and can pose a burn hazard. Do not stand, or allow children to stand, too close to the popper as it is operating.
- This popper pops using hot air. It does not require any oils or fats to pop the corn, and they should never be used in the popper. **DO NOT** use microwave popcorn.
- To use the cord storage, push the cord into the storage opening located at the bottom of the appliance for easy, tangle-free storage.

## CLEANING YOUR AIR CRAZY™ ON DEMAND POPCORN POPPER

Your popper must be cleaned after every use. **Note:** Do not immerse the popper base in water or any other liquid. Do not use any abrasive cleansers or scrubbers on any part of the popper.

1. Unplug the appliance from the electrical outlet. Allow the entire appliance to cool before washing any parts.
2. Remove the cover from the popper base. Wash the popper cover in warm, soapy water. Rinse and dry thoroughly. The cover may be washed in a dishwasher, **top rack only**.
3. If there is popcorn in the popping chute, hold the storage chamber cover down, then invert the popper to remove any unpopped kernels or chaff. Use a soft, damp cloth to wipe the exterior of the popper and the popcorn chute. **DO NOT** wipe inside the popping chamber. Check during every cleaning that no pieces of popcorn are stuck in the bottom screen; ensure that the screen is clear before each use. If it is not, repeat step 3.

**This appliance has no user serviceable parts.**

## PRODUCT WARRANTY

### Appliance 1 Year Limited Warranty

Focus Products Group International, LLC ("the Company") warrants this appliance from failures in the material and workmanship for one (1) year from the date of original purchase with proof of purchase, provided that the appliance is operated and maintained in conformity with the Instruction Manual. Any failed part of the appliance will be repaired or replaced without charge at the Company's discretion. This warranty applies to indoor household use only.

This warranty does not cover any damage, including discoloration, to any non-stick surface of the appliance. This warranty is null and void, as determined solely by the Company, if the appliance is damaged through accident, misuse, abuse, negligence, scratching, or if the appliance is altered in any way.

THIS WARRANTY IS IN LIEU OF ALL IMPLIED WARRANTIES, INCLUDING WARRANTIES OF MERCHANTABILITY, FITNESS FOR A PARTICULAR PURPOSE, PERFORMANCE, OR OTHERWISE, WHICH ARE HEREBY EXCLUDED. IN NO EVENT SHALL THE COMPANY BE LIABLE FOR ANY DAMAGES, WHETHER DIRECT, INDIRECT, INCIDENTAL, FORSEEABLE, CONSEQUENTIAL, OR SPECIAL ARISING OUT OF OR IN CONNECTION WITH THIS APPLIANCE.

If you think the appliance has failed or requires service within its warranty period, please contact the Customer Care Department at (866) 290-1851, or e-mail us at [customercare@focuspg.com](mailto:customercare@focuspg.com). A receipt proving the original purchase date will be required for all warranty claims, **hand written receipts are not accepted**. You may also be required to return the appliance for inspection and evaluation. Return shipping costs are not refundable. The Company is not responsible for returns lost in transit.

**Valid only in USA and Canada**

## REPLACEMENT PARTS

Replacement parts, if available, may be ordered directly from the Company several ways. Order online at [www.westbend.com](http://www.westbend.com), e-mail [customercare@focuspg.com](mailto:customercare@focuspg.com), over the phone by calling (866)290-1851, or by writing to:

Focus Products Group International, LLC.  
Attn: Customer Care Dept.  
P. O. Box 53  
West Bend, WI 53095

To order with a check or money order, please first contact Customer Care for an order total. Mail your payment along with a letter stating the model or catalog number of your appliance, which can be found on the bottom or back of the appliance, a description of the part or parts you are ordering, and the quantity you would like. Your check should be made payable to Focus Products Group International, LLC.

Your state/province's sales tax and a shipping fee will be added to your total charge. Please allow two weeks for processing and delivery.

This manual contains important and helpful information regarding the safe use and care of your product. For future reference, attach dated sales receipt for warranty proof of purchase and record the following information:

Date purchased or received as gift: \_\_\_\_\_

Where purchased and price, if known: \_\_\_\_\_

Item number and Date Code (shown bottom/back of product): \_\_\_\_\_

# WestBend®

## AIR CRAZY™ À LA DEMANDE

Mode d'Emploi



Veillez enregistrer cet appareil ainsi que vos autres produits Focus Products Group International sur notre site Internet: [www.registerfocus.com](http://www.registerfocus.com)  
L'enregistrement d'un produit n'est pas exigé pour activer la garantie.

Précautions Importantes .....	2
Avant la Première Utilisation .....	3
Utilisation de Votre Appareil à Popcorns Air Crazy™ à la Demande .....	4
Conseils Pratiques .....	5
Nettoyage de Appareil à Popcorns Air Crazy™ à la Demande .....	6
Garantie .....	7

**CONSERVEZ CE MANUEL D'INSTRUCTIONS POUR RÉFÉRENCE FUTURE**

# PRECAUTIONS IMPORTANTES



## MISE EN GARDE

**Afin de prévenir toute blessure ou tout dégât matériel, veuillez lire les instructions et les avertissements, dans leur intégralité.**

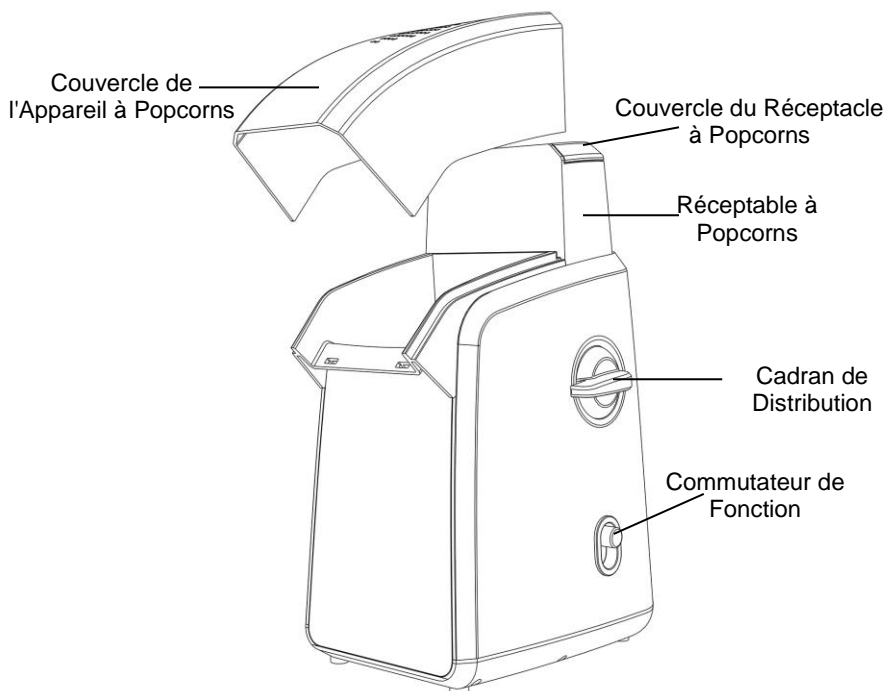
Lors de l'utilisation d'appareils électroménagers, prenez toujours les précautions de sécurité élémentaires, notamment:

- Lisez toutes les instructions.
- Ne touchez pas les surfaces chaudes. Utilisez les poignées carrées ou rondes ainsi que des maniques ou des gants de cuisine. Le couvercle devient chaud pendant le fonctionnement.
- Toujours débrancher l'appareil lorsqu'il n'est pas utilisé et avant de le nettoyer. Laisser refroidir avant de mettre ou de retirer des pièces et avant le nettoyage.
- Une surveillance attentive est nécessaire lorsque cet appareil est utilisé par des enfants ou à proximité de ces derniers.
- N'utilisez aucun appareil électrique ayant un cordon d'alimentation ou une fiche en mauvais état, après un dysfonctionnement de l'appareil, ou toute autre détérioration. Pour consulter les informations sur les réparations, se référer à la page concernant la garantie.
- L'utilisation d'accessoires non recommandés par Focus Products Group International risque de provoquer des blessures.
- Ne pas utiliser cet appareil en plein air.
- Ne laissez pas le cordon d'alimentation pendre depuis l'extrémité d'une table ou d'un plan de travail, ni entrer en contact avec des surfaces chaudes.
- Ne mettez pas l'appareil sur, ni à proximité d'un brûleur chaud, à gaz ou électrique, ni dans un four chaud.
- Pour débrancher, réglez toutes les touches sur « ARRÊT » (« OFF »), puis retirez la fiche de la prise secteur.
- N'utilisez pas l'appareil pour un autre usage que celui pour lequel il a été conçu.
- Afin de vous protéger contre tout risque d'électrocution, ne plongez pas le cordon, les fiches, ni toute autre pièce électrique dans de l'eau, ni dans d'autres liquides.
- Ne tentez pas de réparer cet appareil vous-même.
- Un appareil à popcorns qui est branché dans une prise, ne doit pas être laissé sans surveillance.
- Cet appareil à popcorns ne s'arrête pas automatiquement. Pour éviter la surchauffe, ajouter des grains de maïs avant d'utiliser l'appareil.
- Un fil d'alimentation électrique court est fourni, afin d'éviter les risques de se prendre les pieds ou de trébucher sur un fil d'alimentation plus long.
- Des rallonges sont disponibles, mais celles-ci doivent être utilisées avec prudence. Bien que l'utilisation d'une rallonge ne soit pas recommandée, si vous devez en utiliser une, assurez-vous que la puissance nominale indiquée sur la rallonge soit supérieure ou égale à celle de l'appareil. Si la fiche est raccordée à la terre, la rallonge doit avoir un cordon à 3 brins, raccordé à la terre. Afin d'éviter que le cordon ne soit tiré ou que quelqu'un ne s'y prenne les pieds, positionner la rallonge afin qu'elle ne pende pas depuis l'extrémité du plan de travail, de la table ou de toute autre surface d'où elle pourrait être tirée par des enfants ou faire trébucher quelqu'un.



- Cet appareil est équipé d'une fiche polarisée (l'une des lames est plus large que l'autre). Pour minimiser le risque d'électrocution, cette prise est destinée à être branchée dans un seul sens sur une prise secteur polarisée. Retournez la prise de l'appareil si elle ne rentre pas complètement dans la prise secteur. Si elle ne rentre toujours pas, contactez un électricien qualifié. Ne tentez en aucune façon de modifier la prise.
- N'utilisez pas une prise secteur ou une rallonge si la fiche a du jeu ou si la prise secteur ou la rallonge vous semble chaude.
- Ne pas retirer le couvercle pendant l'utilisation de l'appareil. Ne pas retirer le couvercle de l'appareil avant que vous n'ayez pas entendu de popcorn éclater pendant au moins 1 minute.
- **À usage domestique uniquement.**

## CONSERVEZ CES CONSIGNES



### AVANT LA PREMIÈRE UTILISATION

**Veillez vérifier la totalité de l'emballage avec soin, avant de le jeter. Des pièces peuvent se trouver dans l'emballage.**

Lavez le couvercle de la machine à popcorns avec de l'eau savonneuse chaude. Bien rincer et sécher. Essuyez l'extérieur de la base de l'appareil à popcorns et la chute à popcorns avec un chiffon doux et humide, puis séchez. Il n'est pas nécessaire de nettoyer l'intérieur de l'appareil à popcorns. **Remarque:** Veuillez **NE PAS** immerger la base de l'appareil à popcorns dans de l'eau ni dans tout autre liquide. Une fois enlevé, le couvercle peut être lavé dans un lave-vaisselle, **dans le niveau supérieur uniquement. NE PAS METTRE** la base de l'appareil à popcorn dans le lave-vaisselle. L'appareil sera détérioré de façon permanente et la garantie sera annulée.

## UTILISATION DE VOTRE APPAREIL À POPCORNS AIR CRAZY™ À LA DEMANDE

Cet appareil à popcorns utilise de l'air chaud pour confectionner les popcorns avec les grains de maïs. **NE PLACEZ** aucun autre ingrédient que des grains de maïs dans le réceptacle où les popcorns éclatent.

1. Ouvrez le réceptacle à popcorns et insérez des grains de maïs frais dans le réceptacle. La chambre peut contenir environ 800 gr (16 oz.) de grains de maïs.
2. Veiller à ce qu'il n'y ait aucun morceau de popcorn sur l'écran inférieur avant chaque utilisation. (Reportez-vous à la section « Nettoyage de votre appareil à popcorns Air Crazy™ à la demande » de ce manuel.) Placez le couvercle sur l'appareil à popcorns. Appuyez sur le levier de distribution des popcorns pour que les grains de maïs soient envoyés dans le réceptacle. Pour une seule portion de popcorns, appuyez sur le levier une fois (env. 2 grandes cuillères de maïs). Pour une portion familiale, appuyez sur le levier jusqu'à 4 fois (env. ½ tasse de maïs). **NE PAS** envoyer plus de 4 portions (½ tasse) de grains de maïs à la fois. Le cadran se verrouille après 4 tours, et ne se déverrouille qu'après que les grains de maïs aient commencé à éclater. **NE PAS mettre d'huile**, de beurre, de matière grasse, de sel, ou quoi que ce soit d'autre que des grains de maïs dans l'appareil. **Remarque:** Si trop grains de maïs sont distribués dans le réceptacle, les grains peuvent bloquer la porte d'alimentation. L'appareil ne fonctionnera pas avant que les grains de maïs coincés ne soient retirés. Pour enlever les grains de maïs coincés, retirez le couvercle et retirez les grains de maïs du réceptacle, puis appuyez légèrement sur le levier de distribution pour libérer les grains de maïs coincés. Assurez-vous de maintenir le couvercle fermé lorsque vous videz l'appareil à popcorns. Remplacez le couvercle et insérez la quantité de grains de maïs requise.
3. Placez un récipient résistant à la chaleur sous la chute à popcorns afin de collecter les popcorns. 1/2 tasse de grains de maïs se transformera en environ 3 à 4 litres (3 et 4 quarts de popcorns). **Remarque:** Nous conseillons d'utiliser un bol d'au moins 14 centimètres de profondeur pour les popcorns.
4. Branchez le cordon sur une prise secteur 120 volts CA uniquement. Faites glisser l'interrupteur sur la fonction « POP ». **Ne jamais faire fonctionner l'appareil sans grains de maïs ou sans le couvercle.**
5. L'appareil commencera à confectionner les popcorns et le cycle prendra environ entre 2 et 3 minutes. **NE JAMAIS** rajouter de grains de maïs supplémentaires pendant que l'appareil confectionne des popcorns. Lorsque l'appareil a terminé de confectionner les popcorns, mettre l'interrupteur sur la position « OFF ». Le cycle de confection des popcorns est terminé lorsqu'il y a un écart de 5 secondes entre chaque grain de maïs qui éclate. Laissez l'appareil à popcorns en place, avec le couvercle en place, pendant au moins une minute après l'achèvement du cycle de confection des popcorns. Des grains de maïs peuvent éclater inopinément. Faites preuve de prudence lors de la manipulation de l'appareil à popcorns Air Crazy à la demande, car il **sera chaud** après le cycle. Toujours utiliser des maniques ou des gants pour vous protéger du chaud lorsque vous utilisez l'appareil.
6. Si vous souhaitez confectionner d'autres popcorns, laissez l'appareil à popcorns refroidir pendant cinq minutes, puis vérifiez l'écran situé dans la partie inférieure du réceptacle. Enlevez tous les débris. Utilisez des maniques ou des protections lorsque vous manipulez l'appareil à popcorns. Répétez les étapes 1 à 5 ci-dessus. Après deux lots, laissez refroidir l'appareil à popcorns pendant 15 minutes avant de le réutiliser.

- Une petite quantité de fumée et/ou odeur peut être émise au moment de la chauffe, à cause de la diffusion des huiles de fabrication – ceci est tout à fait normal.
- Quelques sons étouffés d'expansion / contraction peuvent se faire entendre durant le chauffage et le refroidissement. Ceci est normal.

## CONSEILS PRATIQUES

- **Pour servir une portion seulement, utilisez:** Si vous remarquez qu'un nombre important de grains de maïs n'a pas éclaté en faisant une portion de popcorns pour une personne, préchauffez l'appareil pendant 15 secondes avant de procéder à la distribution des grains de maïs. **Ne pas** préchauffer l'appareil si vous faites plus d'une portion pour une personne (2 cuillères à soupe) ou si vous avez confectionné des popcorns dans les 20 dernières minutes.
- Utilisez toujours du maïs frais. Du vieux maïs sec n'éclate pas bien, car il a perdu toute son humidité et peut roussir.
- Toujours utiliser les popcorns stockés dans le réceptacle aussi rapidement que possible. En général, les grains de maïs perdent leur taux d'humidité en 1 mois et ils n'éclatent plus aussi bien.
- Garder les grains de maïs restant dans un récipient en verre ou en plastique bien fermé, afin que les grains de maïs ne perdent pas leur taux humidité. Assurez-vous de conserver le récipient dans un endroit frais, mais ne le placez pas au réfrigérateur. Les réfrigérateurs ont un taux d'humidité peu élevé et les grains de maïs peuvent se dessécher et ne pas éclater correctement.
- Bien que nous recommandions d'utiliser des grains de maïs ordinaires blancs ou jaunes, cet appareil à popcorns peut également confectionner des popcorns avec des grains de maïs premium et gourmet. Toutefois, il se peut que vous n'obteniez pas d'aussi bons résultats avec les grains de maïs premium et gourmet qu'avec les grains de maïs ordinaires; vous remarquerez peut-être une augmentation du nombre de grains de maïs qui n'éclatent pas.
- Si le débit de popcorns est lent, ou s'arrête, placez l'interrupteur sur la fonction « OFF » (arrêt), laissez l'appareil refroidir pendant une minute ou deux, retirez le couvercle, et videz le réceptacle où les grains de maïs éclatent. Assurez-vous de maintenir le couvercle fermé lorsque vous videz l'appareil à popcorns. Lorsque vous confectionnez la portion de popcorns suivante, réduisez la quantité de grains de maïs.
- Le fait que les grains de maïs n'éclatent pas correctement, est souvent dû à la qualité des grains de maïs, à leur fraîcheur, à leur taux d'humidité et à leur variété. Le fait que des grains de maïs n'éclatent pas n'indique pas forcément une défaillance de l'appareil.
- Cet appareil n'est pas conçu pour être utilisé avec des graines, des haricots ou tout autre ingrédient, autre que des grains de maïs.
- Nous vous recommandons d'utiliser un bol profond pour stocker les popcorns. Utilisez un bol d'au moins 14 centimètres (5.5 pouces) de profondeur lorsque vous confectionnez des popcorns, assurez-vous de bien positionner le bol. Si le bol utilisé n'est pas assez profond, les popcorns chauds ou les grains de maïs chauds peuvent ricocher du bol et peuvent présenter un danger de brûlure. Ne pas se tenir trop près, ou permettre aux enfants de se tenir trop près de l'appareil lorsqu'il fonctionne.
- Cet appareil fonctionne en utilisant de l'air chaud. L'appareil n'utilise aucune huile ni aucune matière grasse pour confectionner les popcorns, et ces dernières ne devraient jamais être utilisées dans cet appareil. **NE PAS** utiliser de popcorns à micro-onde.
- Pour utiliser l'espace de rangement du cordon d'alimentation, poussez le cordon dans l'orifice de stockage situé en bas de l'appareil pour un rangement facile et un stockage sans enchevêtrement.

## NETTOYAGE DE VOTRE APPAREIL À POPCORNS AIR CRAZY™ À LA DEMANDE

Votre appareil à popcorns doit être nettoyé après chaque utilisation. **Remarque:** Veuillez ne pas immerger la base de l'appareil à popcorns dans de l'eau ni dans aucun autre liquide. N'utilisez aucun nettoyant abrasif ou grattoir sur aucune partie de l'appareil à popcorns.

1. Débranchez l'appareil de la prise murale. Laissez la totalité de l'appareil refroidir avant de le nettoyer.
2. Retirer le couvercle de la base de l'appareil à popcorn. Lavez le couvercle de la machine à popcorns avec de l'eau savonneuse chaude. Rincez et séchez soigneusement. Le couvercle peut se laver au lave-vaisselle, en le plaçant dans le panier supérieur uniquement.
3. S'il y a des popcorns dans la goulotte, maintenez le couvercle du réceptacle puis renversez l'appareil pour enlever les grains de maïs qui n'ont pas éclaté ou les résidus. Utilisez un chiffon doux et humide pour nettoyer l'extérieur de l'appareil à popcorns ainsi que la chute à popcorns. **NE PAS** essuyer l'intérieur du réceptacle. Lors de chaque nettoyage, assurez-vous qu'aucun morceau de popcorn ne soit bloqué dans l'écran du bas; assurez-vous que l'écran ne contienne aucune saleté avant chaque utilisation. Si cela n'est pas le cas, refaites l'étape 3.

**Cet appareil ne contient aucune pièce réparable par l'utilisateur.**

## GARANTIE DU PRODUIT

### Garantie Limitée de 1 An de l'Appareil

Focus Products Group International, LLC ("la société") garantit "pièces et main d'œuvre" que cet appareil est, et demeurera, exempt de défauts, pendant une durée d'un (1) an, à compter de la date originelle d'achat, en fonction d'une preuve d'achat, si ce dernier est utilisé et entretenu conformément au mode d'emploi. Toute pièce défectueuse de l'appareil sera réparée ou remplacée sans frais, et à la discrétion de la société. Cette garantie ne s'applique qu'à une utilisation domestique en intérieur.

Cette garantie ne couvre pas les dégâts, notamment toute décoloration, causés à toute surface non collante de l'appareil. Cette garantie sera annulée, à la seule discrétion de la société, si l'appareil est endommagé suite à un accident, à une mauvaise utilisation, à un abus, à une négligence, par des rayures, ou si l'appareil est modifié de quelle que façon que ce soit.

CETTE GARANTIE SUPPLANTE TOUTES GARANTIES SOUS-ENTENDUES, NOTAMMENT TOUTES GARANTIES DE VALEUR MARCHANGE, D'ADEQUATION A UN OBJET PARTICULIER, DE PERFORMANCES OU AUTRES, QUI SONT ICI EXCLUES. EN AUCUN CAS, LA SOCIETE NE POURRA ETRE TENUE RESPONSABLE DE TOUS DEGATS, DIRECTS OU INDIRECTS, FORTUITS, PREVISIBLES, CONSECUTIFS OU SPECIAUX, SURVENANT DE L'UTILISATION DE CE PRODUIT

Si vous pensez que l'appareil est tombé en panne ou devrait être réparé en étant couvert par sa garantie, veuillez contacter le service d'assistance à la clientèle au (866) 290-1851, ou envoyer un e-mail à l'adresse [customercare@focuspg.com](mailto:customercare@focuspg.com). Un reçu, prouvant la date originelle de l'achat, sera demandé pour toutes les demandes faites sous garantie; **les reçus rédigés à la main ne seront pas acceptés**. Il se peut également que l'on vous demande de renvoyer l'appareil pour qu'il soit vérifié et évalué. Les frais de renvoi ne sont pas remboursables. La société n'est pas responsable de la perte en transit de tout appareil renvoyé.

**Valable uniquement aux USA et au Canada**

## PIÈCES DE RECHANGE

Les pièces détachées / de rechange, si disponibles, peuvent être commandées directement à la société de plusieurs façons. En les commandant en ligne sur le lien [www.westbend.com](http://www.westbend.com), par e-mail au [customercare@focuspg.com](mailto:customercare@focuspg.com), par téléphone en appelant au (866)290-1851, ou en écrivant à:

Focus Products Group International, LLC.  
Attn: Customer Care Dept.  
P. O. Box 53  
West Bend, WI 53095

Pour commander à l'aide d'un chèque ou d'un mandat, veuillez commencer par contacter le service d'assistance à la clientèle pour obtenir un total de commande. Envoyez par courrier votre commande, accompagnée d'une lettre mentionnant le modèle et le numéro de catalogue de votre appareil, que vous pourrez trouver en bas ou à l'arrière de l'appareil, une description de la pièce ou des pièces que vous voulez commander, ainsi que la quantité désirée. Votre chèque devra être libellé à l'ordre de Focus Products Group International, LLC.

La TVA de votre province et les frais d'envoi, seront ajoutés au montant total. Veuillez patienter deux semaines pour que la livraison et le traitement puissent avoir lieu.

Ce manuel contient des informations utiles et importantes, sur l'utilisation et l'entretien sécurisés de votre appareil. A titre de référence future, attachez le reçu daté qui vous tiendra lieu de preuve d'achat pour la garantie, et consignez les informations suivantes:

Date d'achat ou de réception en cadeau: \_\_\_\_\_

Lieu d'achat et prix, si connus: \_\_\_\_\_

Numéro de l'article et Code de date (dessous/arrière de l'appareil): \_\_\_\_\_

Française - 7

L5942 03/16 West Bend®, une Marque de Focus Products Group International, LLC.  
Imprimé en Chine

# WestBend®

## AIR CRAZY™ A PEDIDO

Manual de Instrucciones



Registre este y otros productos Focus Products Group International a través de nuestro sitio web: [www.registerfocus.com](http://www.registerfocus.com)  
No se requiere registrar el producto para activar la garantía.

Precauciones Importantes.....	2
Antes de Usar por Primera Vez.....	3
Uso de la Máquina de Preparar Palomitas Air Crazy™ a Pedido .....	4
Consejos Prácticos.....	5
Limpieza de la Máquina de Preparar Palomitas Air Crazy™ a Pedido.....	6
Garantía .....	7

**CONSERVE ESTAS INSTRUCCIONES COMO REFERENCIA PARA EL FUTURO**

# PRECAUCIONES IMPORTANTES



## PRECAUCIÓN

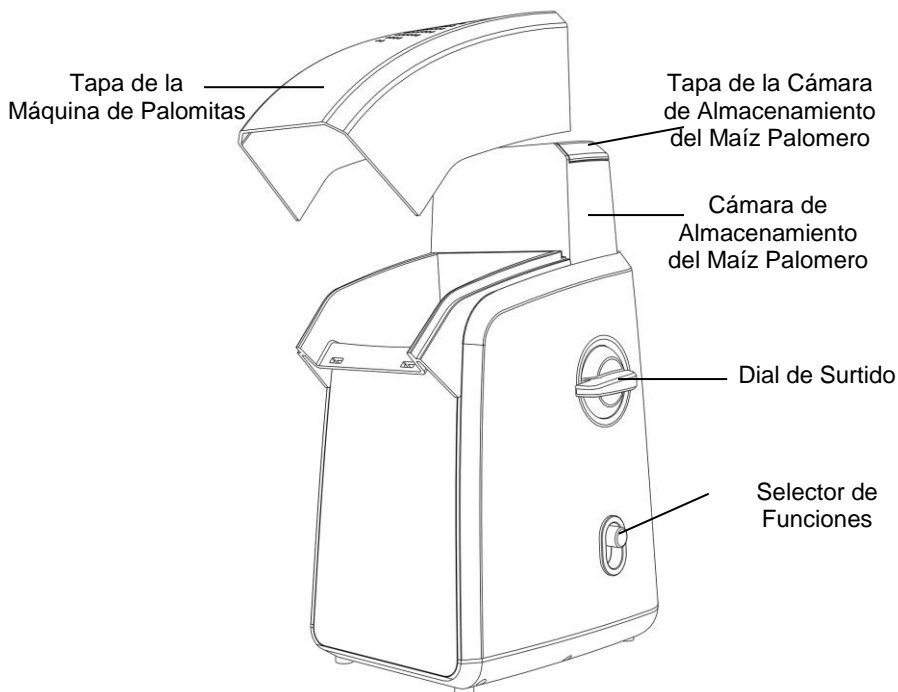
**Para evitar lesiones personales o daños materiales, lea y acate todas las instrucciones y advertencias.**

Al utilizar artefactos electrodomésticos, siempre deben acatarse las precauciones básicas de seguridad incluyendo las siguientes:

- Lea todas las instrucciones.
- No toque las superficies calientes. Use las asas o las perillas y almohadillas aislantes o guantes térmicos. La tapa puede calentarse durante el funcionamiento.
- Siempre desenchufe el aparato electrodoméstico del tomacorriente cuando no esté en uso y antes de limpiarlo. Permita que se enfríe antes de colocarle o quitarle piezas o antes de limpiarlo.
- Se requiere una supervisión cercana cuando este aparato electrodoméstico sea usado por o cerca de niños.
- No haga funcionar ningún aparato que tenga el cordón eléctrico o el enchufe dañados, después de haber sufrido una falla o de haberse dañado de cualquier manera. Para información relacionada con el servicio de reparaciones vea la página de garantías.
- El uso de accesorios no recomendados por Focus Products Group International puede causar lesiones.
- No use este aparato electrodoméstico al aire libre.
- No permita que el cordón eléctrico cuelgue sobre el borde de una mesa o encimera, ni que toque superficies calientes.
- No lo coloque sobre o cerca de un calentador eléctrico o de gas, ni dentro de un horno caliente.
- Para desconectar el artefacto, coloque cualquier control en la posición "OFF" (apagar), y luego desenchúfelo del tomacorriente.
- No utilice el aparato para usos distintos de los indicados.
- Para protegerse contra descargas eléctricas no sumerja el cable, enchufes, u otras partes eléctricas en agua u otros líquidos.
- No trate de reparar este aparato usted mismo.
- Una máquina de preparar palomitas de maíz que esté enchufada a un tomacorriente no deberá dejarse sola en ningún momento.
- Esta máquina de preparar palomitas no se apagará automáticamente. Para evitar el sobrecalentamiento, añada los granos de maíz palomero antes de ponerla a funcionar.
- Se suministra un cordón eléctrico corto para reducir los riesgos que resultan de enredarse o tropezarse con un cordón eléctrico más largo.
- Hay disponibles cables de extensión más largos, pero se debe tener cuidado al usarlos. Aunque no se recomienda utilizar un cable de extensión, si debe usar uno, asegúrese de que la capacidad eléctrica nominal marcada en el cable de extensión sea igual o mayor a aquella del aparato electrodoméstico. Si el enchufe es del tipo conectado a tierra, el cable de extensión deberá ser un cordón eléctrico de 3 hilos con conexión a tierra. Para evitar halar, tropezar o enredarse con el cable de extensión, coloque éste de manera que no cuelgue sobre el borde de la encimera, mesa u otro lugar donde pueda ser halado por niños o tropezarse con el mismo.

- Este electrodoméstico tiene un enchufe polarizado (una clavija es más ancha que la otra). Para reducir el riesgo de una descarga eléctrica, este enchufe está diseñado para encajar de una sola manera dentro del tomacorriente polarizado. Invierta el enchufe si éste no encaja completamente en el tomacorriente o el cable de extensión. Si el enchufe todavía no encaja, consulte con un electricista calificado. No trate de modificar el enchufe de manera alguna.
- No use un tomacorriente o cable de extensión en el cual el enchufe calce flojamente, o si el tomacorriente o el cable de extensión se calientan.
- Mientras esté en uso, no retire la tapa. No retire la tapa del aparato después del ciclo de preparación de palomitas hasta tanto no haya oído reventar un grano de maíz durante por lo menos 1 minuto.
- **Sólo para uso doméstico.**

## CONSERVE ESTAS INSTRUCCIONES



### ANTES DE USAR POR PRIMERA VEZ

**Revise con cuidado todo el material de empaque antes de desecharlo. El material de empaque puede contener partes accesorias.**

Lave la tapa de la máquina de preparar palomitas en agua tibia y jabón. Enjuáguela a fondo y séquela. Limpie el exterior de la base de la máquina de palomitas y el canal de las palomitas con un baño suave humedecido y luego séquelas. No es necesario limpiar la parte interna de la cámara de preparación de las palomitas.

**Nota: NO** sumerja la base de la máquina de palomitas en agua o en ningún otro líquido. Una vez retiradas, la tapa puede lavarse en un lavavajillas, **pero sólo en la cesta superior**. **NO** coloque la base de la máquina de palomitas en el lavavajillas. Esto dañará permanentemente el producto y anulará la garantía.



## USO DE LA MÁQUINA DE PREPARAR PALOMITAS AIR CRAZY™ A PEDIDO

**Esta máquina de palomitas utiliza aire caliente para reventar los granos. No coloque nada que no sea de granos de maíz palomero dentro de la cámara de preparación de las palomitas.**

1. Abra la tapa de la cámara de almacenamiento del maíz y vierta granos frescos de maíz palomero dentro de la cámara. La cámara tiene una capacidad para aproximadamente 16 onzas (800 g) de granos.
2. Antes de comenzar, asegúrese de que no haya pedazos de palomitas sobre la malla inferior. (Consulte la sección "Limpieza de la Máquina de Preparar Palomitas Air Crazy™ a Pedido" de este manual). Coloque la tapa en la máquina de palomitas. Presione el dial de surtido para surtir granos de maíz dentro de la cámara de preparación de palomitas. Para una sola porción de palomitas, gire el dial una vez (aprox. 2 cucharas de granos de maíz). Para una porción tamaño familiar, presione gire el dial hasta 4 veces (aprox. ½ taza de granos de maíz). **NO** surta más de 4 porciones (½ taza) de granos de maíz palomero a la vez. El dial se bloqueará después de 4 vueltas, y no se desbloqueará hasta tanto no comience la cocción de los granos. **NO** coloque aceite, mantequilla, manteca, sal o ninguna otra cosa que no sea de granos de maíz palomero en la máquina.

**Nota:** Si se surten demasiados granos de maíz a la cámara de preparación de palomitas, los granos podrían atascar la puerta de alimentación. La máquina de palomitas no funcionará hasta tanto se despeje el atasco. Para despejar el atasco, retire la tapa y vacíe los granos de maíz dentro de la cámara de preparación de palomitas, y menee ligeramente el dial de surtido para liberar los granos atascados. Asegúrese de mantener cerrada la tapa del almacenamiento del maíz al vaciar la máquina de palomitas. Vuelva a colocar la tapa y surta la cantidad recomendada de granos.

3. Coloque un recipiente resistente al calor de 4 litros, o más grande, debajo del canal de las palomitas de maíz para recoger las palomitas de maíz en la medida que estas revientan. ½ taza de maíz para preparar palomitas produce entre 3 y 4 litros de palomitas de maíz. **Nota:** Le recomendamos que utilice un recipiente que tenga por lo menos 5,5 pulgadas (14 cm) de profundidad al preparar palomitas de maíz.
4. Enchufe el cordón eléctrico **SOLAMENTE** en un tomacorriente de 120 V de corriente alterna. Deslice el selector de función a la posición "POP" (preparar palomitas). **Nunca haga funcionar la máquina de palomitas sin el maíz o la tapa en su lugar.**
5. Las palomitas de maíz empezarán a reventar, y el ciclo se llevará a cabo en un lapso de 2-3 minutos **NUNCA** surta granos de maíz adicionales durante el ciclo de preparación de las palomitas. Una vez que hayan reventado todos los granos de maíz, deslice el selector de funciones a la posición de apagado "OFF". El ciclo de preparación de palomitas se habrá completado cuando hay un espacio de 5 segundos entre reventones de granos. Deje reposar a la máquina de palomitas, con la tapa en su lugar, durante por lo menos un minuto tras completarse el ciclo de preparación. Los granos de maíz sin reventar aún pueden reventar de manera inesperada. Tenga cuidado al manipular la Máquina de Preparar Palomitas Air Crazy™ a Pedido, ya que **estará** caliente después del ciclo de preparación. Siempre utilice almohadillas térmicas o guantes de cocina al manipular el aparato caliente.

6. Si desea preparar un lote adicional de palomitas de maíz, deje que el aparato se enfríe unos cinco minutos, y luego revise con cuidado la malla en la parte inferior de la cámara de preparación de palomitas. Elimine cualquier residuo restante. Utilice almohadillas térmicas o guantes de cocina al manipular la máquina de palomitas caliente. Repita los pasos 1-5 anteriores. Después de 2 lotes, deje que la máquina de hacer palomitas se enfríe 15 minutos antes de usarla de nuevo.
- Una pequeña cantidad de humo y/u olor pueden presentarse después del calentamiento debido a la liberación de los aceites de fabricación; esto es normal.
  - Algunos sonidos menores de expansión/contracción pueden ocurrir durante el calentamiento y enfriamiento – esto es normal.

## CONSEJOS PRÁCTICOS

- **Solo para la preparación de una sola porción:** Si se observa una gran cantidad de granos sin reventar al preparar una sola porción de palomitas de maíz, precaliente el aparato durante 15 segundos antes de surtir los granos. **No precaliente** si va a preparar más de una sola porción (2 cucharadas.) o si ha preparado palomitas en los últimos 20 minutos.
- Siempre use maíz palomero fresco. El maíz palomero seco, rancio o viejo no revienta bien, ya que ha perdido su contenido de humedad y se puede quemar.
- Siempre utilice el maíz palomero almacenado en la cámara de almacenamiento tan pronto como sea posible. Por lo general, el maíz palomero perderá su humedad en el lapso de un mes y se hará más difícil que este reviente.
- Almacene cualquier maíz palomero **extra** en recipientes herméticos hechos de vidrio o de plástico para evitar la pérdida de humedad en los granos. Asegúrese de almacenar el recipiente en un sitio fresco, pero no lo almacene en el refrigerador. La mayoría de los refrigeradores contienen poca humedad y pueden secar los granos, lo cual resultará en que los granos no revienten bien.
- Aunque recomendamos utilizar maíces palomeros blancos o amarillos para preparar palomitas, esta máquina de palomitas también puede utilizar maíces palomeros de primera calidad y gourmet. Sin embargo, los maíces palomeros de primera calidad y gourmet pudieran no dar resultados tan buenos como los maíces palomeros regulares; usted pudiera observar un aumento en el número de granos sin reventar.
- Si el flujo de palomitas es lento, o se detiene, deslice el selector de funciones a la posición de apagado “OFF,” deje que la máquina se enfríe durante un minuto o dos, retire la tapa y vacíe la cámara de preparación de palomitas. Asegúrese de mantener cerrada la tapa del almacenamiento del maíz al vaciar la máquina de palomitas. Al preparar el siguiente lote, reduzca la cantidad de maíz a reventar.
- Si el maíz palomero no revienta, por lo general es el resultado de factores ambientales tales como la frescura y el contenido de humedad del maíz palomero, o las variaciones según los tipos de maíz palomero. Granos sin reventar no necesariamente indican un defecto en el aparato.
- Esta máquina de palomitas no está diseñada para utilizarse con semillas, frijoles o cualquier cosa que no sean maíces palomeros.
- Le recomendamos que utilice un recipiente hondo para preparar las palomitas de maíz. Utilice un recipiente de por lo menos 5,5 pulgadas (14 cm) de profundidad al preparar palomitas de maíz, y asegúrese de que el recipiente quede a ras con la máquina para recoger las palomitas. Si se utiliza un recipiente poco profundo, palomitas y granos de maíz calientes pueden rebotar del recipiente y pueden representar un riesgo de quemaduras. No se pare, ni permita que los niños se paren, demasiado cerca de la máquina de preparar palomitas de maíz cuando esta está en funcionamiento.

- Esta máquina hace reventar los granos utilizando aire caliente. No requiere de ningún aceite o grasa para hacer reventar el maíz, y estos nunca deberán utilizarse dentro de la máquina. **NO** utilice maíz palomero para microondas.
- Para utilizar el almacenamiento del cordón eléctrico, empuje el cordón dentro de la abertura de almacenamiento ubicada en el fondo del aparato para un almacenamiento fácil y sin enredos.

## LIMPIEZA DE LA MÁQUINA DE PREPARAR PALOMITAS AIR CRAZY™ A PEDIDO

La máquina de palomitas debe limpiarse después de cada uso. **Nota:** No sumerja la base de la máquina de palomitas en agua o ningún otro líquido. No utilice estropajos o limpiadores abrasivos sobre ninguna parte de la máquina de preparar palomitas.

1. Desenchufe el aparato del tomacorriente. Permite que el aparato entero se enfríe antes de lavar cualquier parte.
2. Retire la tapa de la base de la máquina de palomitas. Lave la tapa de la máquina de preparar palomitas en agua tibia y jabón. Enjuáguelos y séquelos a fondo. La tapa puede lavarse en un lavavajillas, pero sólo en la canasta superior.
3. Si hay maíz palomero en el canal de las palomitas, sujete la cámara de almacenamiento sosteniendo la tapa, y luego invierta el aparato para eliminar cualquier cascarilla o grano que haya sin reventar. Utilice un paño suave humedecido para limpiar el exterior de la máquina de palomitas y el canal de palomitas. **NO** limpie con paño la parte interna de la cámara de preparación de palomitas. Durante cada limpieza, compruebe que no haya pedazos de maíz atrapados en la malla inferior; asegúrese de que la malla esté limpia antes de cada uso. Si no es así, repita el paso 3.

**Este aparato no contiene piezas reparables por el usuario.**

## GARANTÍA DEL PRODUCTO

### Garantía Limitada de 1 Año del Artefacto Electrodoméstico

Focus Products Group International, LLC ("la Compañía") garantiza que este aparato no presentará fallas de material ni fabricación durante un (1) año a partir de la fecha original de compra con prueba de dicha compra, siempre y cuando el aparato sea operado y mantenido tal como se indica en el Manual de Instrucciones. Toda pieza del aparato que presente fallas será reparada o reemplazada sin costo alguno a criterio de la Compañía. Esta garantía rige solamente para el uso doméstico dentro de la casa.

Esta garantía no cubre ningún daño, incluyendo la decoloración, de superficie antiadherente alguna del aparato electrodoméstico. Esta garantía es nula y sin efecto, a juicio exclusivo de la Compañía, si el aparato ha sido dañado por accidente, mal uso, abuso, negligencia, arañazos, o si el aparato ha sido alterado de alguna manera.

ESTA GARANTÍA REEMPLAZA A TODAS LAS DEMÁS GARANTÍAS IMPLÍCITAS, INCLUYENDO AQUÉLLAS DE COMERCIABILIDAD, IDONEIDAD PARA UN FIN O USO EN PARTICULAR, DESEMPEÑO, U OTROS TIPOS, LAS CUALES QUEDAN EXCLUIDAS MEDIANTE EL PRESENTE DOCUMENTO. BAJO NINGUNA CIRCUNSTANCIA ASUMIRÁ LA COMPAÑÍA RESPONSABILIDAD POR DAÑOS, YA SEAN DIRECTOS, INMEDIATOS, INCIDENTALES, PREVISIBLES, CONSECUENTES O ESPECIALES QUE SURJAN DEL USO DEL APARATO ELECTRODOMÉSTICO O GUARDEN RELACIÓN CON EL MISMO.

Si usted piensa que el aparato se ha dañado o requiere servicio dentro del período de garantía, por favor póngase en contacto con el Departamento de Atención al Cliente al (866) 290-1851, o envíenos un correo electrónico a [customercare@focuspg.com](mailto:customercare@focuspg.com). Un recibo que acredite la fecha de compra original será requerido para todos los reclamos; **los recibos escritos a mano no son aceptados**. También se le podrá exigir devolver el aparato para su inspección y evaluación. Los gastos de envío no son reembolsables. La Compañía no se hace responsable de las devoluciones perdidas en tránsito.

**Válido sólo en EE.UU. y Canadá**

## REPUESTOS

Las piezas de repuesto, si están disponibles, se pueden pedir directamente a la Compañía de varias maneras. Ordene en línea en [www.westbend.com](http://www.westbend.com), al correo electrónico [customercare@focuspg.com](mailto:customercare@focuspg.com), o por teléfono llamando al (866) 290-1851, o escribiendo a:

Focus Products Group International, LLC.

Atención: Customer Care Dept.

P. O. Box 53

West Bend, WI 53095

Para hacer un pedido con un cheque o giro postal, sírvase primero ponerse en contacto con el Dept. de Atención al Cliente para solicitar el monto total del pedido. Envíe su pago junto con una carta en la que indique el modelo y número de catálogo del aparato, que se puede encontrar en la parte inferior o posterior del aparato, una descripción de la parte o partes que usted está pidiendo, y la cantidad que desea. Su cheque debe hacerse a nombre de Focus Products Group International, LLC.

Se sumará al total el impuesto de venta estatal/provincial que corresponda, más un cargo por despacho y procesamiento. Estime un lapso de dos semanas para el procesamiento y la entrega.

Este manual contiene información importante y útil sobre el uso seguro y el cuidado de su producto. Para su propia referencia, archive aquí el recibo fechado que sirve de comprobante de compra para la garantía, y anote la siguiente información:

Fecha en que compró o recibió la unidad como regalo: \_\_\_\_\_

Dónde se efectuó la compra y el precio, si lo sabe: \_\_\_\_\_

Número y código de fecha del producto (aparece en la parte inferior/posterior de la unidad): \_\_\_\_\_

Español - 7